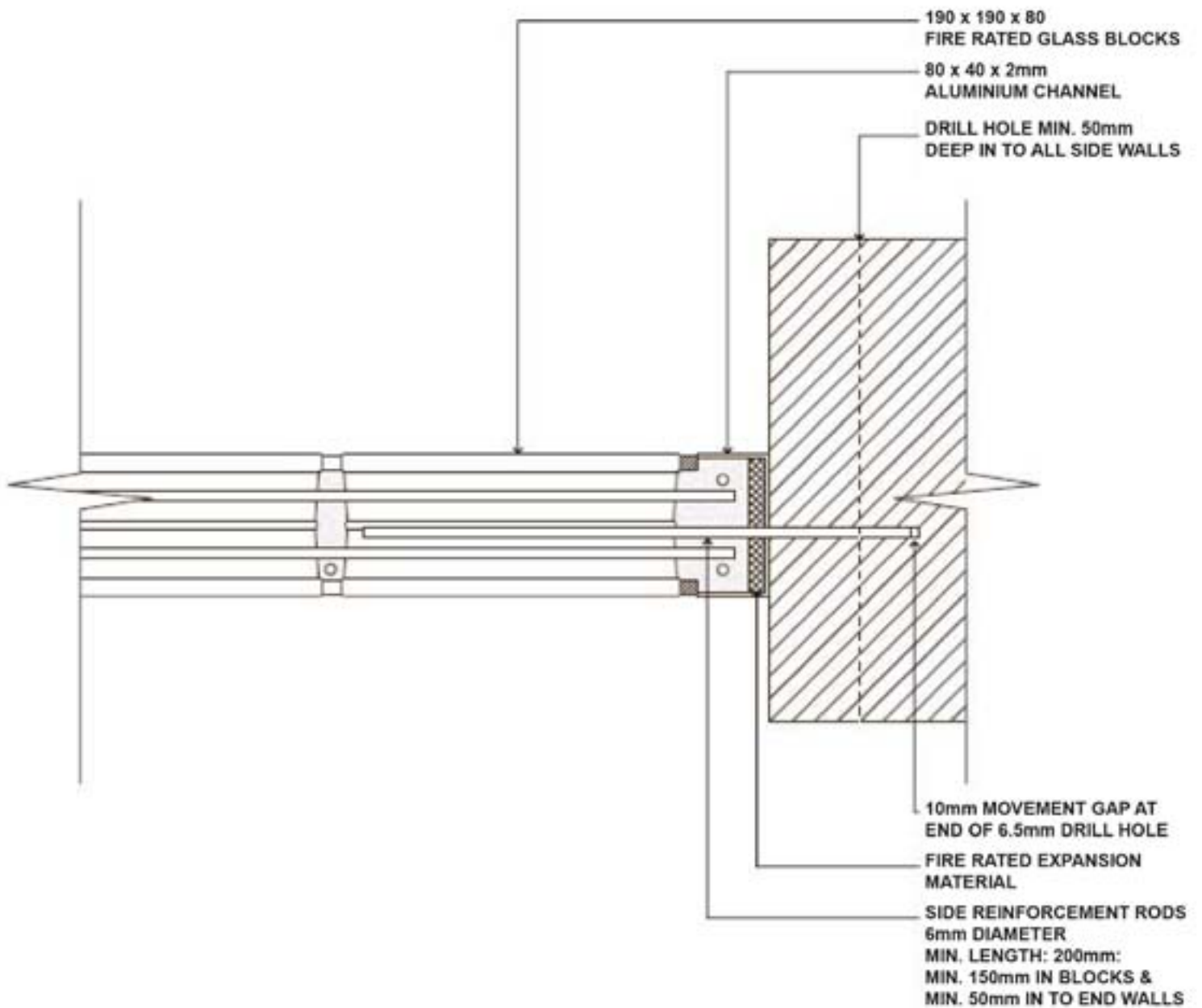


DWG02 : FRL -/60/- Fire Rated Installation

Note: See DWG03 for fixing detail



DWG03 : FRL -/60/- Fire Rated Fixing Detail